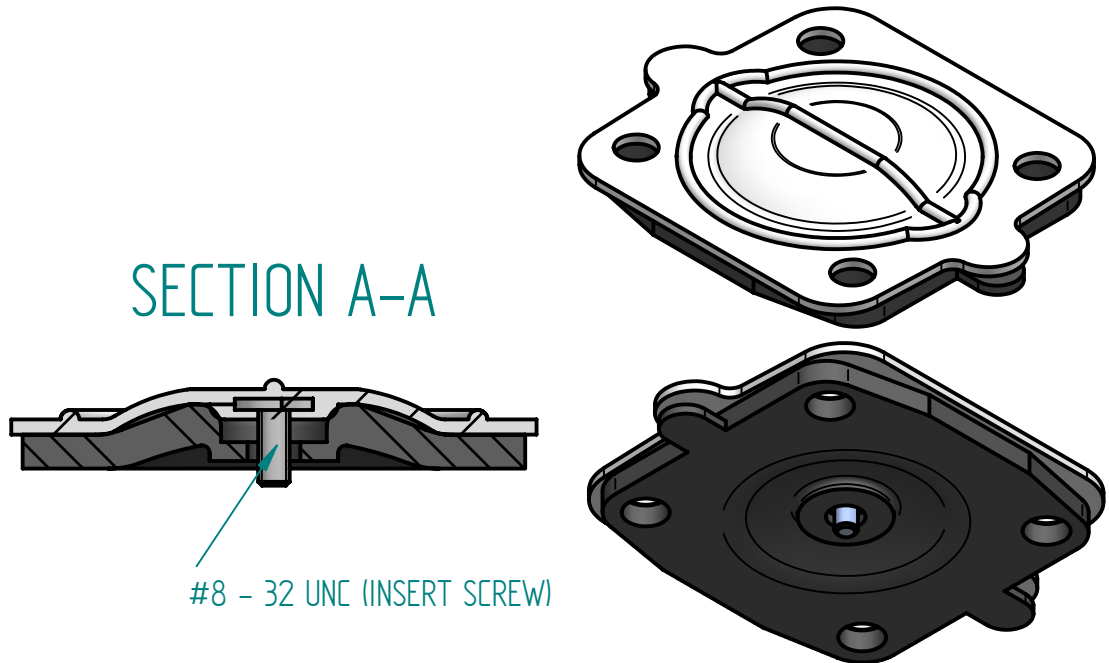




| REVISION HISTORY | | | |
|------------------|-------------|------|----------|
| REV | DESCRIPTION | DATE | APPROVED |
| | | | |



Replacement Diaphragm for :-
 OEM PART = 42178 or 48073
 USED ON 1" (DN25) Diaphragm Valve

SCALE
 1:1.33

| | | | | |
|------------------------------------------------------------------------------------------------------------------|---------------------------------------------------------------------------------------|------------|------------------------------------------|---------------------------------------------------------------------------------------------------------------|
| DRAWN | | NAME | DATE |  DIAPHRAGM DIRECT |
| CHECKED | | M. MC KEON | 08/21/14 | |
| Material - EPDM BACKING TFM - DIAPHRAGM | | | | TITLE |
| Complies with CFR 177.2600 and Conforms to USP Class VI Biological Reactivity Tests Section #87 and #88 | | | | DD10-ITFM |
| SIZE |  | | REV | B |
| A | FILE NAME: DD10-ITFM.dft | | SCALE: 1 : 1 ECO:0605 SHEET 1 OF 1 | |

Disclaimer - Diaphragm Direct® does not manufacture, represent, nor sell OEM valves or diaphragms manufactured by any other company. Diaphragm Direct® brand diaphragms are not sponsored by any other manufacturers. Any name, model, part number, brand, image, material or referral is for descriptive purposes only. Diaphragm Direct® brand replacement diaphragms are guaranteed to fit OEM equipment and meet or exceed OEM specifications. Diaphragm Direct® brand replacement diaphragms are covered by the standard Diaphragm Direct® limited product warranty.