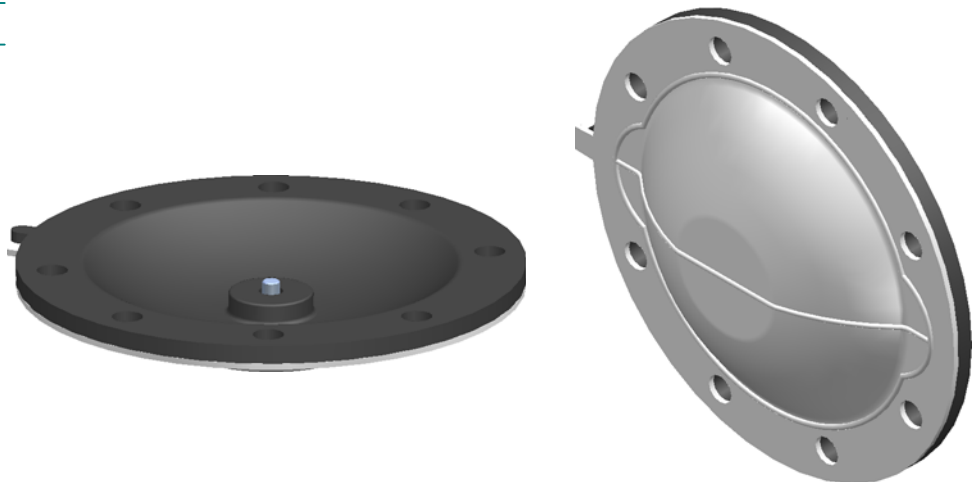
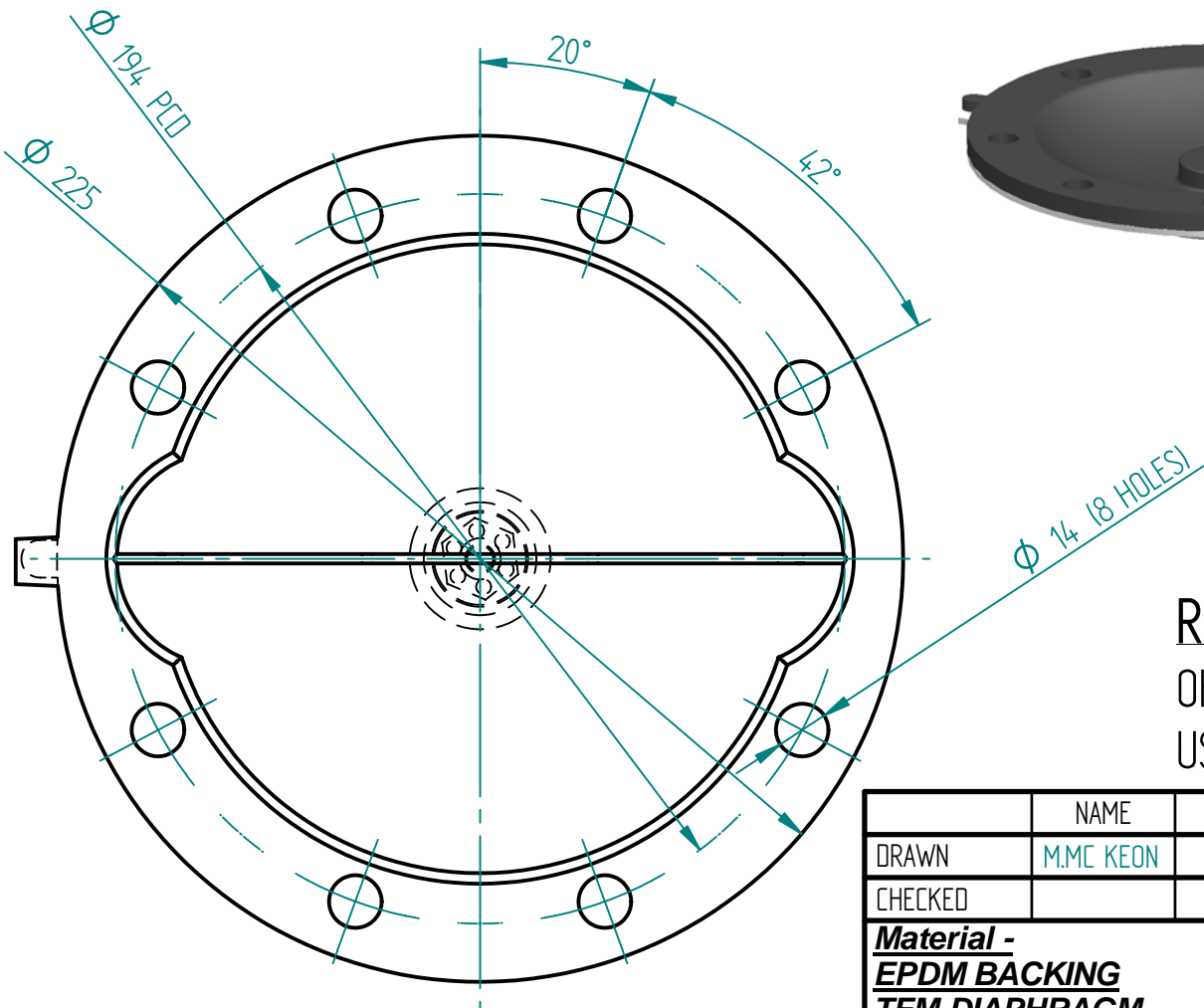
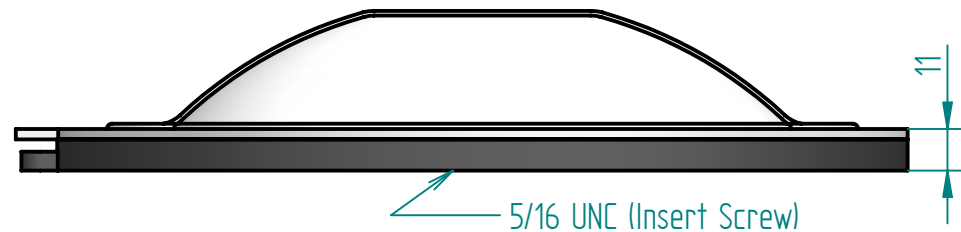


REVISION HISTORY			
REV	DESCRIPTION	DATE	APPROVED



Replacement Diaphragm for :-
 OEM PART = 42183 or 48078
 USED ON 4" (DN100) Diaphragm Valves.

	NAME	DATE
DRAWN	M.MC KEON	08/21/14
CHECKED		
Material - EPDM BACKING TFM-DIAPHRAGM		
Complies with CFR 177.2600 and Conforms to USP Class VI Biological Reactivity Tests Section #87 and #88		

TITLE DD40-ITFM	
SIZE A	
REV C	
FILE NAME: DD40-ITFM.dft	
SCALE: 1:2 (mm)	ECO: 0605 SHEET 1 OF 1

Disclaimer - Diaphragm Direct® does not manufacture, represent, nor sell OEM valves or diaphragms manufactured by any other company. Diaphragm Direct® brand diaphragms are not sponsored by any other manufacturers. Any name, model, part number, brand, image, material or referral is for descriptive purposes only. Diaphragm Direct® brand replacement diaphragms are guaranteed to fit OEM equipment and meet or exceed OEM specifications. Diaphragm Direct® brand replacement diaphragms are covered by the standard Diaphragm Direct® limited product warranty.