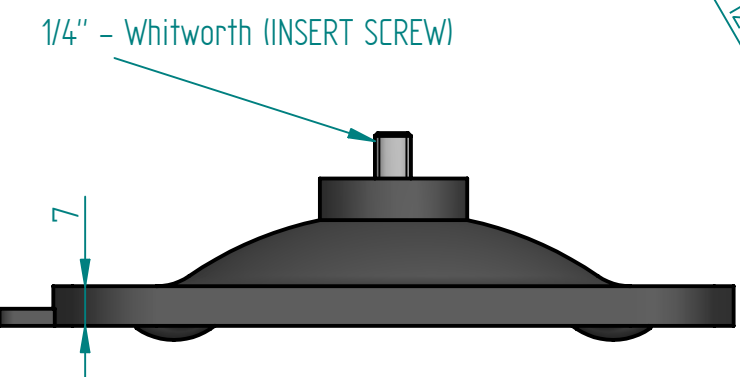
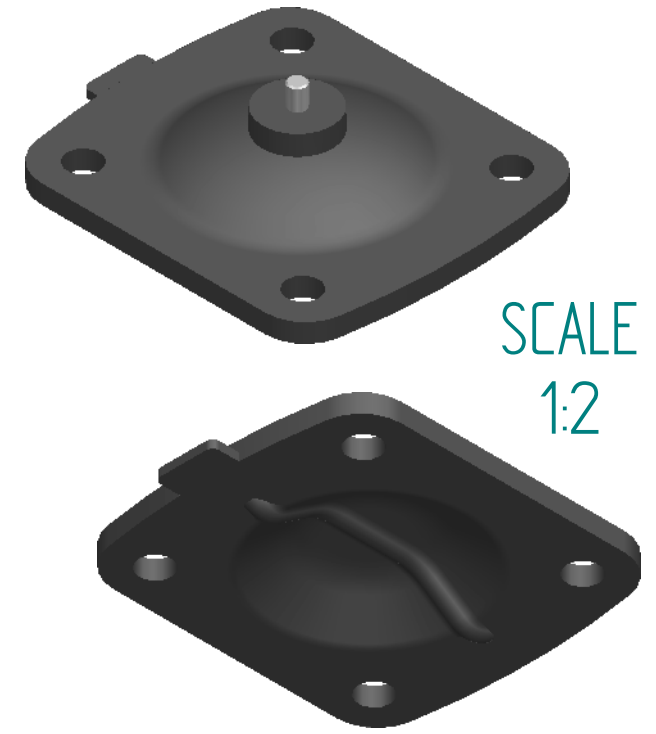
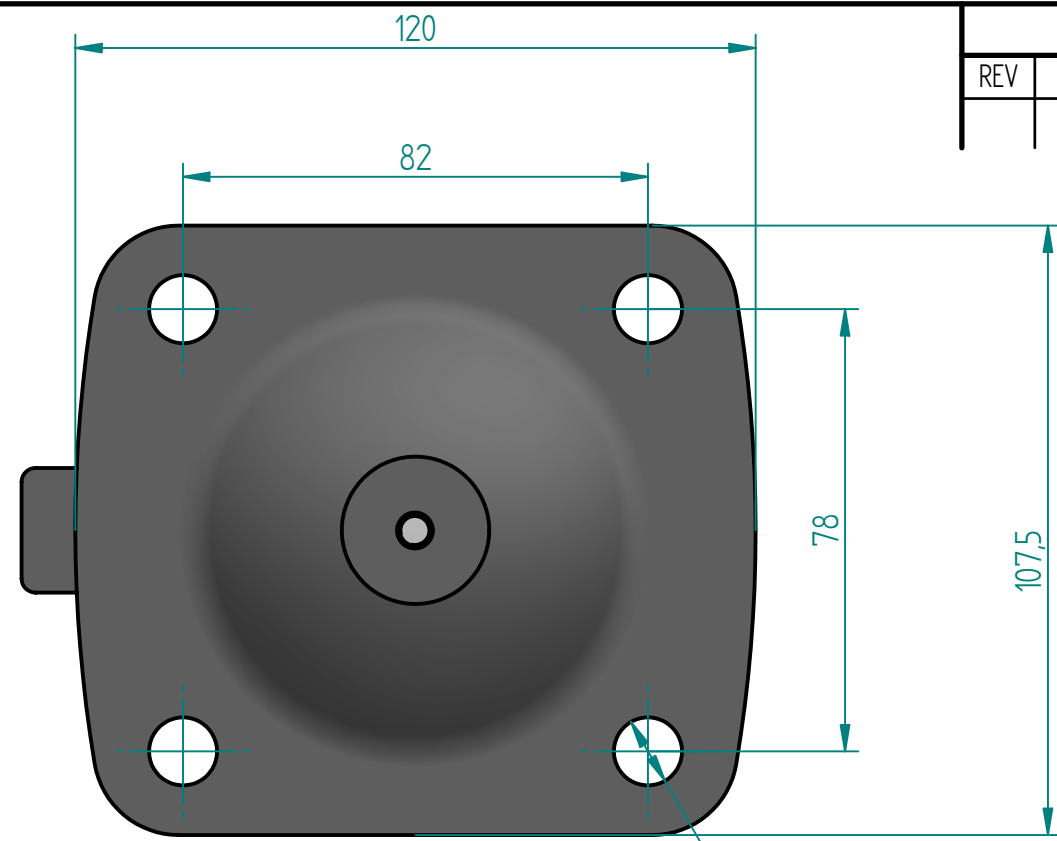



REVISION HISTORY

REV	DESCRIPTION	DATE	APPROVED



$\phi 12$ 1/4 Holes!

Replacement Diaphragm for :-
 OEM PART = 600050-M-13
 USED ON 2" (DN50) Diaphragm Valve

	NAME	DATE	 DIAPHRAGM DIRECT
DRAWN	M. MC KEON	08/21/14	
CHECKED			TITLE
Material - EPDM			DD20-GE7
Complies with CFR 177.2600 and Conforms to USP Class VI Biological Reactivity Tests Section #87 and #88			SIZE A ROMYNOX REV B
			FILE NAME: DD20-GE7.dft
SCALE: 1:133		ECO:0605	SHEET 1 OF 1

Disclaimer - Diaphragm Direct® does not manufacture, represent, nor sell OEM valves or diaphragms manufactured by any other company. Diaphragm Direct® brand diaphragms are not sponsored by any other manufacturers. Any name, model, part number, brand, image, material or referral is for descriptive purposes only. Diaphragm Direct® brand replacement diaphragms are guaranteed to fit OEM equipment and meet or exceed OEM specifications. Diaphragm Direct® brand replacement diaphragms are covered by the standard Diaphragm Direct® limited product warranty.