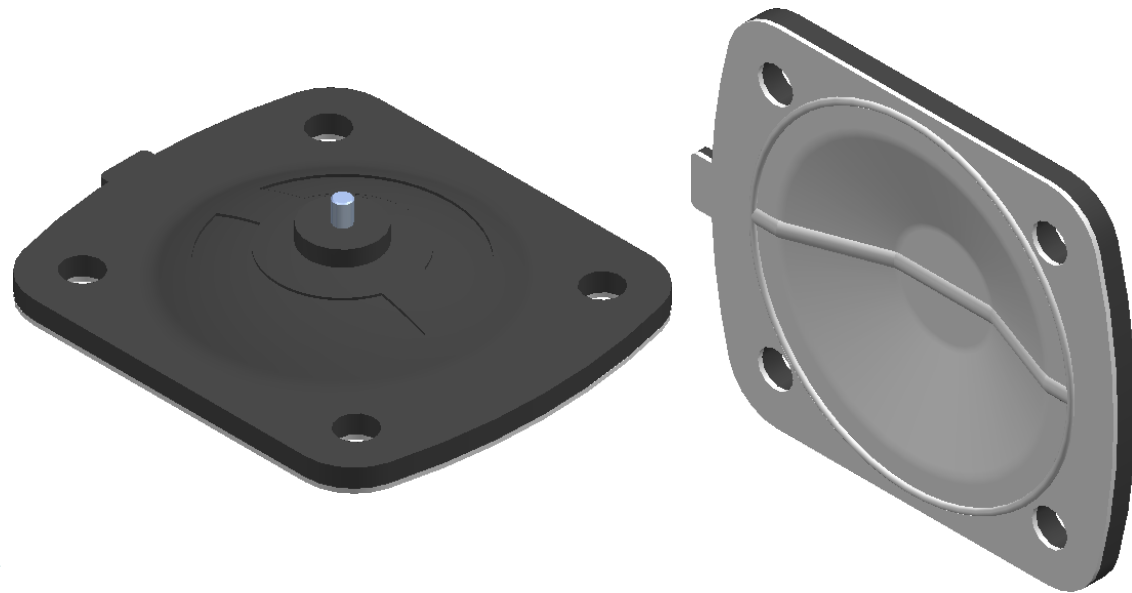
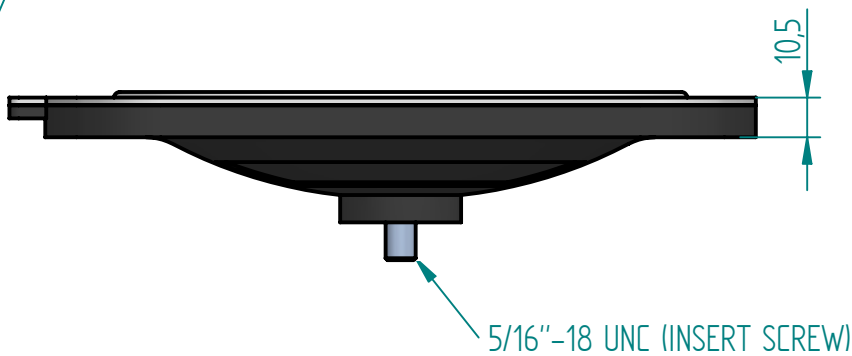




Ø 16.5 (4 Holes)



Replacement Diaphragm for :-
 OEM PART NUMBER = 600080-M-52
 USED ON 3" (DN80) Diaphragm Valve

REVISION HISTORY			
REV	DESCRIPTION	DATE	APPROVED

	NAME	DATE	 DIAPHRAGM DIRECT	
DRAWN	M. MC KEON	08/21/14		
CHECKED			TITLE DD30-GTFM (Same as DD25-GFTM)	
Material - EPDM BACKING PTFE - DIAPHRAGM			SIZE	REV
Complies with CFR 177.2600 and Conforms to USP Class VI Biological Reactivity Tests Section #87 and #88			A	C
				
			FILE NAME: DD30-GTFM.dft	
SCALE: 1 : 2 (mm)		ECO:0605	SHEET 1 OF 1	

Disclaimer - Diaphragm Direct® does not manufacture, represent, nor sell OEM valves or diaphragms manufactured by any other company. Diaphragm Direct® brand diaphragms are not sponsored by any other manufacturers. Any name, model, part number, brand, image, material or referral is for descriptive purposes only. Diaphragm Direct® brand replacement diaphragms are guaranteed to fit OEM equipment and meet or exceed OEM specifications. Diaphragm Direct® brand replacement diaphragms are covered by the standard Diaphragm Direct® limited product warranty.