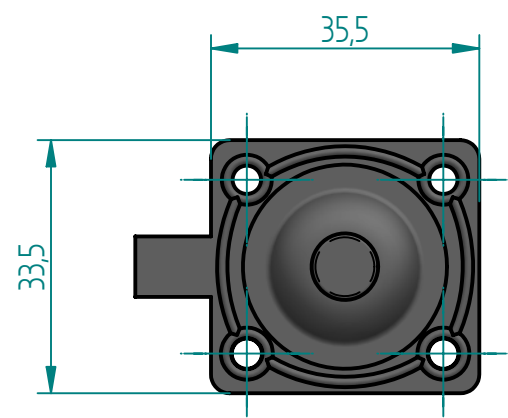
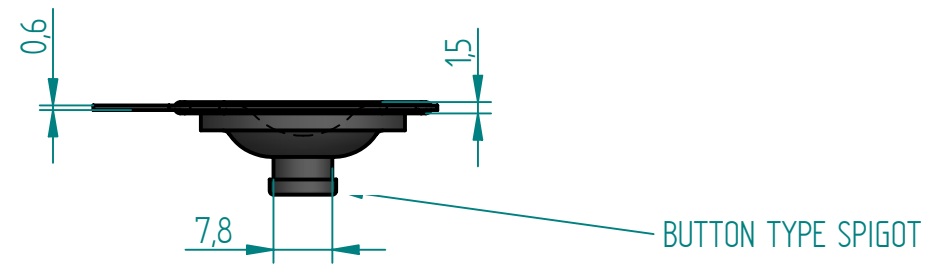
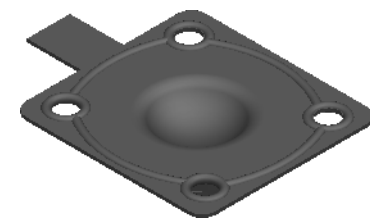
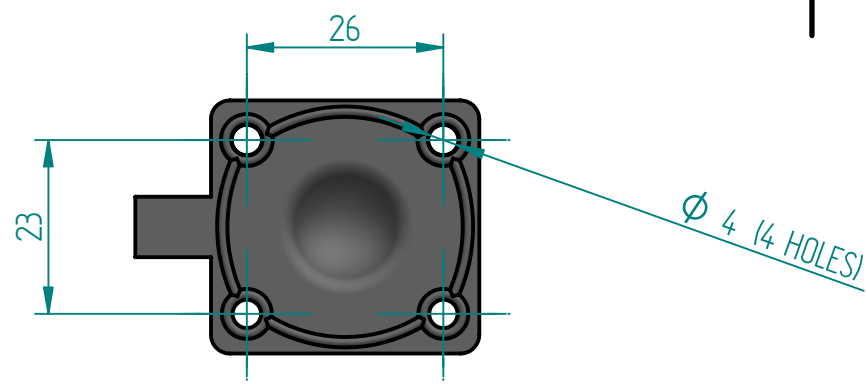


REVISION HISTORY			
REV	DESCRIPTION	DATE	APPROVED



### Replacement Diaphragm for :-

OEM PART = BE3

USED ON 1/4", 3/8", 1/2" (DN8,10,15,) Diaphragm Valve

	NAME	DATE
DRAWN	M.MC KEON	08/21/14
CHECKED		



### Material - EPDM

Complies with CFR 177.2600  
and Conforms to  
USP Class VI Biological Reactivity  
Tests Section #87 and #88

TITLE		DD03-SE7	
SIZE A	ROMYNOX		REV B
FILE NAME: DD03-SE7.dft			
SCALE: 1 : 1	ECO:0605	SHEET 1 OF 1	

Disclaimer - Diaphragm Direct® does not manufacture, represent, nor sell OEM valves or diaphragms manufactured by any other company. Diaphragm Direct® brand diaphragms are not sponsored by any other manufacturers. Any name, model, part number, brand, image, material or referral is for descriptive purposes only. Diaphragm Direct® brand replacement diaphragms are guaranteed to fit OEM equipment and meet or exceed OEM specifications. Diaphragm Direct® brand replacement diaphragms are covered by the standard Diaphragm Direct® limited product warranty.