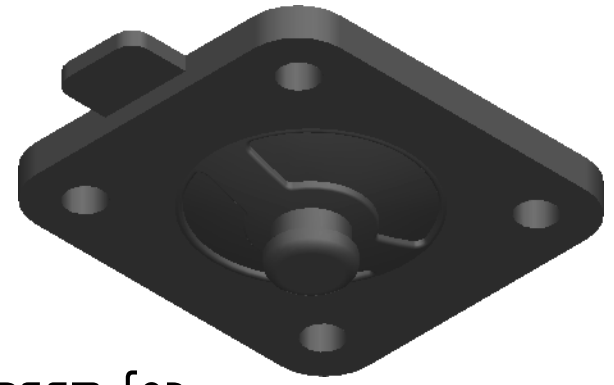
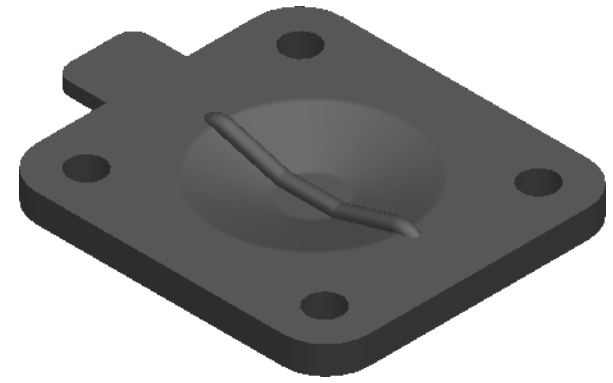


| REVISION HISTORY | | | |
|------------------|-------------|------|----------|
| REV | DESCRIPTION | DATE | APPROVED |
| | | | |



Ø 6,5 (4 HOLES)

Replacement Diaphragm for :-

OEM PART = 0.750-EF

USED ON 3/4" (DN20) Diaphragm Valve

| | NAME | DATE |
|---------|-----------|----------|
| DRAWN | M.MC KEON | 08/21/14 |
| CHECKED | | |

Material - EPDM

Complies with CFR 177.2600
and Conforms to
USP Class VI Biological Reactivity
Tests Section #87 and #88



| | | | |
|-------|---|----------|---|
| TITLE | | DD07-SE7 | |
| SIZE | A | REV | B |

ROMYNOX

| | | | |
|-------------------------|--------------|----------|--------------|
| FILE NAME: DD07-SE7.dft | SCALE: 1 : 1 | ECO:0605 | SHEET 1 OF 1 |
|-------------------------|--------------|----------|--------------|

Disclaimer - Diaphragm Direct® does not manufacture, represent, nor sell OEM valves or diaphragms manufactured by any other company. Diaphragm Direct® brand diaphragms are not sponsored by any other manufacturers. Any name, model, part number, brand, image, material or referral is for descriptive purposes only. Diaphragm Direct® brand replacement diaphragms are guaranteed to fit OEM equipment and meet or exceed OEM specifications. Diaphragm Direct® brand replacement diaphragms are covered by the standard Diaphragm Direct® limited product warranty.