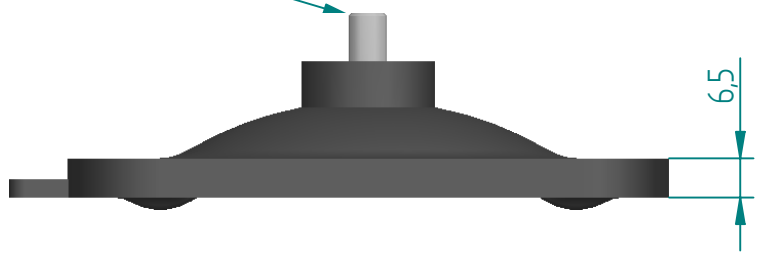
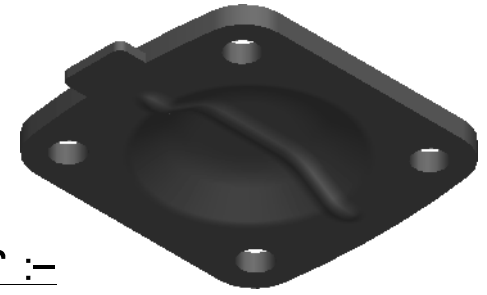
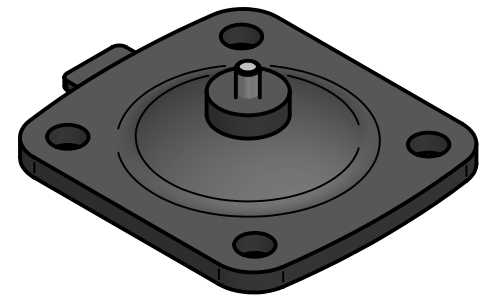


1/4" - Whitworth (INSERT SCREW)



Ø 11 (4 Holes)





SCALE
1:2

Replacement Diaphragm for :-
OEM PART = 1.500-EF
USED ON 1.5" (DN40) Diaphragm Valve

REVISION HISTORY			
REV	DESCRIPTION	DATE	APPROVED

	NAME	DATE
DRAWN	M.MC KEON	08/21/14
CHECKED		
Material - EPDM		
Complies with CFR 177.2600 and Conforms to USP Class VI Biological Reactivity Tests Section #87 and #88		

 DIAPHRAGM DIRECT	
TITLE DD15-SE7	
SIZE A	
REV B	
FILE NAME: DD15-SE7.dft	
SCALE: 1:1.25	ECC:0605 SHEET 1 OF 1

Disclaimer - Diaphragm Direct® does not manufacture, represent, nor sell OEM valves or diaphragms manufactured by any other company. Diaphragm Direct® brand diaphragms are not sponsored by any other manufacturers. Any name, model, part number, brand, image, material or referral is for descriptive purposes only. Diaphragm Direct® brand replacement diaphragms are guaranteed to fit OEM equipment and meet or exceed OEM specifications. Diaphragm Direct® brand replacement diaphragms are covered by the standard Diaphragm Direct® limited product warranty.