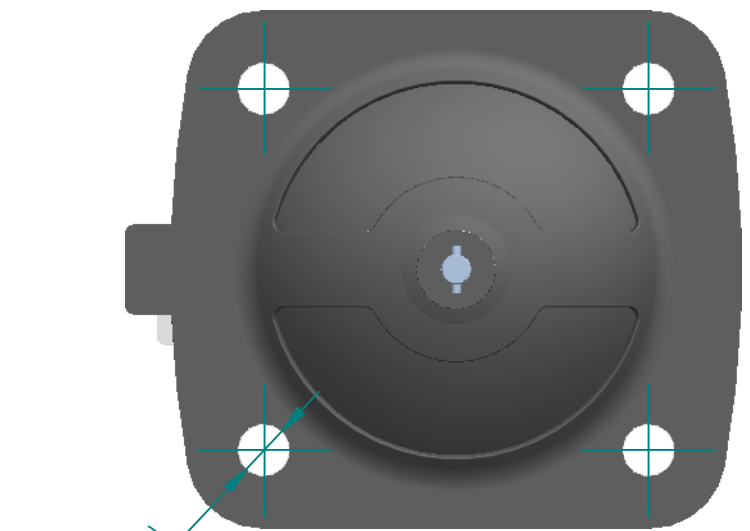


REVISION HISTORY

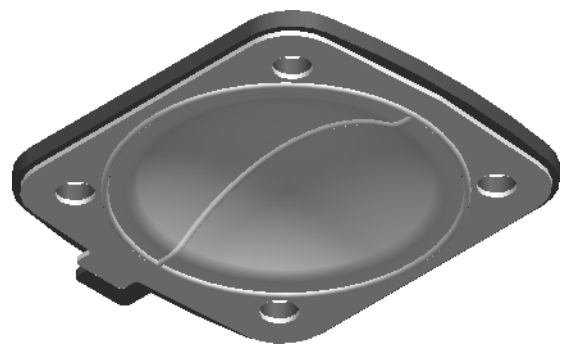
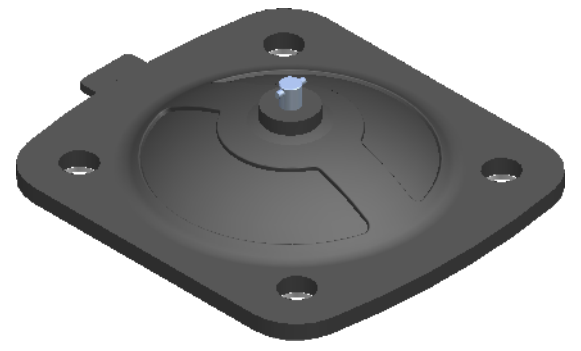
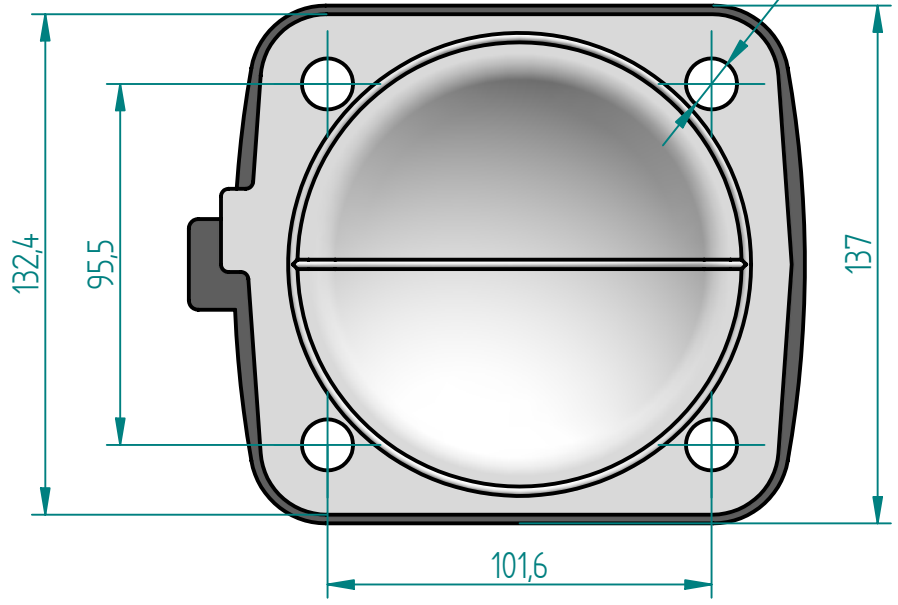
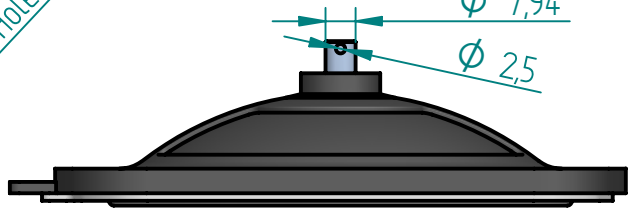
REV	DESCRIPTION	DATE	APPROVED



ϕ 14 (4 Holes)

ϕ 7,94
 ϕ 2,5

ϕ 13,5 (4 Holes)



Scale
1:2.5

Replacement Diaphragm for :-
 OEM PART = 2.500-P2
 USED ON 2.5" (DN65) Diaphragm Valve

	NAME	DATE
DRAWN	M. MC KEON	08/21/14
CHECKED		

Material -
EPDM BACKING
TFM-DIAPHRAGM
 Complies with CFR 177.2600
 and Conforms to
 USP Class VI Biological Reactivity
 Tests Section #87 and #88



TITLE		DD25-STFM	
SIZE	ROMYNOX	REV	C
FILE NAME: DD25-STFM.dft			
SCALE: 1:2 (mm)	ECO:0605	SHEET 1 OF 1	

Disclaimer - Diaphragm Direct® does not manufacture, represent, nor sell OEM valves or diaphragms manufactured by any other company. Diaphragm Direct® brand diaphragms are not sponsored by any other manufacturers. Any name, model, part number, brand, image, material or referral is for descriptive purposes only. Diaphragm Direct® brand replacement diaphragms are guaranteed to fit OEM equipment and meet or exceed OEM specifications. Diaphragm Direct® brand replacement diaphragms are covered by the standard Diaphragm Direct® limited product warranty.