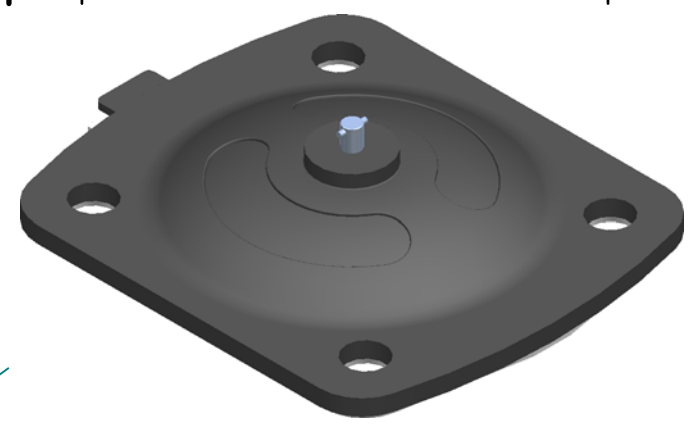
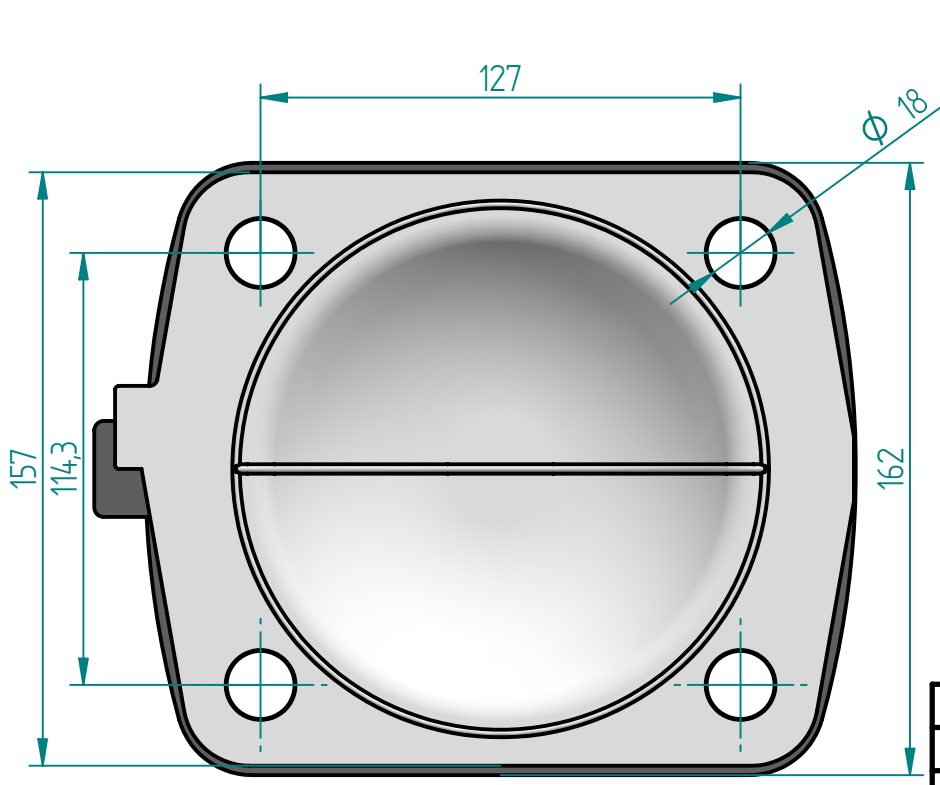
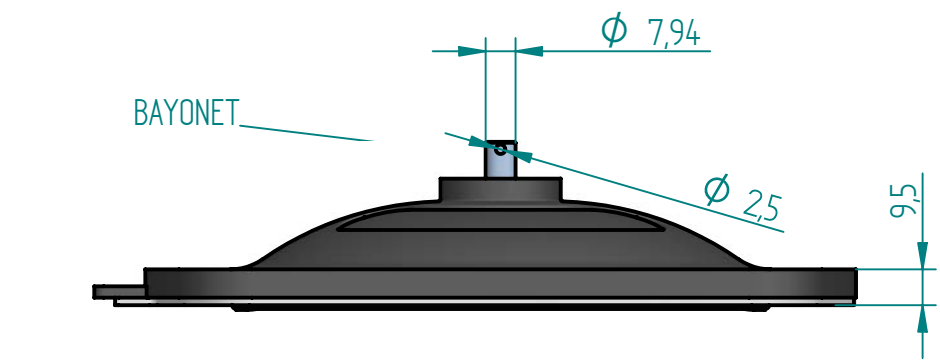


REVISION HISTORY

REV	DESCRIPTION	DATE	APPROVED



SCALE
1:2.5



Replacement Diaphragm for :-
 OEM PART = 3.000-P2
 USED ON 3" (DN80) Diaphragm Valve

	NAME	DATE		
DRAWN	M. MC KEON	08/21/14		
CHECKED			TITLE	
Material - EPDM BACKING TFM-DIAPHRAGM			DD30-STFM	
Complies with CFR 177.2600 and Conforms to USP Class VI Biological Reactivity Tests Section #87 and #88			SIZE A	
FILE NAME: DD30-STFM.dft			SCALE: 1:2 (mm)	REV C
ECO:0605			SHEET 1 OF 1	

Disclaimer - Diaphragm Direct® does not manufacture, represent, nor sell OEM valves or diaphragms manufactured by any other company. Diaphragm Direct® brand diaphragms are not sponsored by any other manufacturers. Any name, model, part number, brand, image, material or referral is for descriptive purposes only. Diaphragm Direct® brand replacement diaphragms are guaranteed to fit OEM equipment and meet or exceed OEM specifications. Diaphragm Direct® brand replacement diaphragms are covered by the standard Diaphragm Direct® limited product warranty.