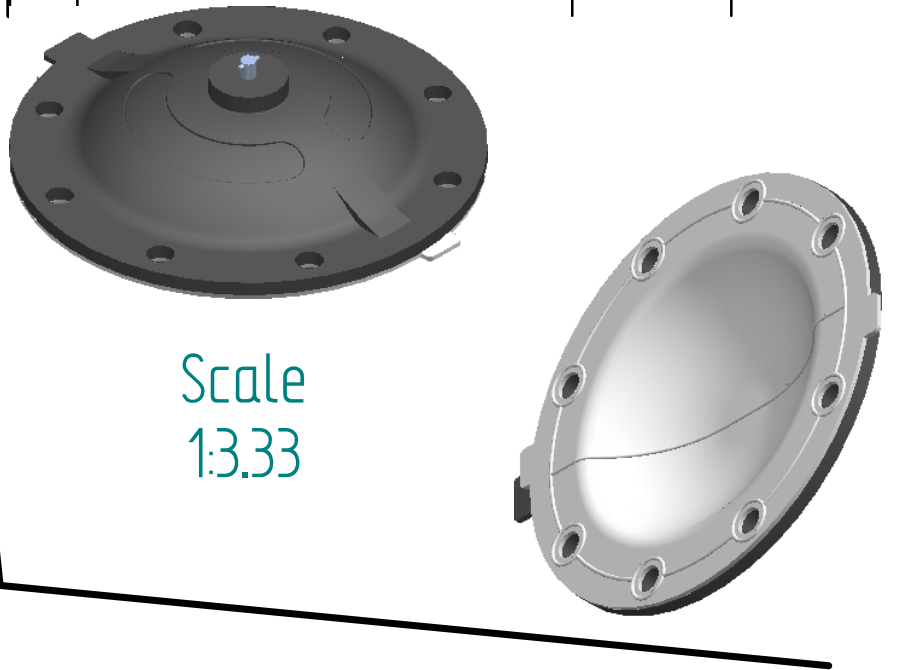


REVISION HISTORY			
REV	DESCRIPTION	DATE	APPROVED



Replacement Diaphragm for :-
 SAUNDERS PART NUMBER =4.000-S5
 USED ON 4" (DN100) [SAUNDERS®] Diaphragm Valve

	NAME	DATE
DRAWN	M. MC KEON	01/03/07
CHECKED	UL / JB	01/09/07

Material -
EPDM BACKING
TFM-DIAPHRAGM

Complies with CFR 177.2600
 and Conforms to
 USP Class VI Biological Reactivity
 Tests Section #87 and #88



TITLE		DD40-STFM	
SIZE	A4	ROMYNOX	REV B
FILE NAME: GS-150-A4-06J.dft			
SCALE: 1:2 (mm)	ECO:0605	SHEET 1 OF 1	