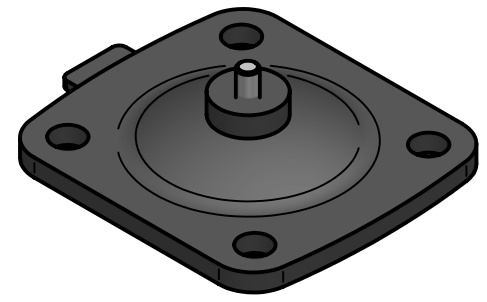
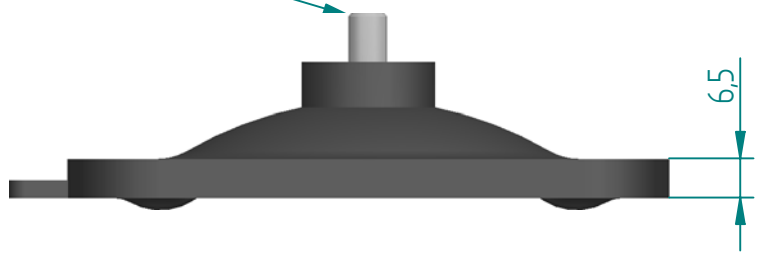


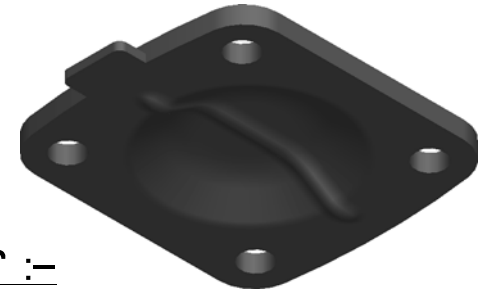
| REVISION HISTORY | | | |
|------------------|-------------|------|----------|
| REV | DESCRIPTION | DATE | APPROVED |
| | | | |



1/4" - Whitworth (INSERT SCREW)



SCALE
1:2



Ø 11 (4 Holes)

Replacement Diaphragm for :-
 Grade : FPM/FKM - FDA
 USED ON 1.5" (DN40) Diaphragm Valve

| | NAME | DATE |
|---------|-----------|----------|
| DRAWN | M.MC KEON | 01/21/15 |
| CHECKED | | |

Material - FPM/FKM

FDA Compliance :
 21 CFR 177.2600



| | | |
|---------------------------|----------------|--------------|
| TITLE DD15-SFPM | | |
| SIZE A | ROMYNOX | REV B |
| FILE NAME: DD15-SFPM.dft | | |
| SCALE: 1:1.25 | ECO:0605 | SHEET 1 OF 1 |

Disclaimer - Diaphragm Direct® does not manufacture, represent, nor sell OEM valves or diaphragms manufactured by any other company. Diaphragm Direct® brand diaphragms are not sponsored by any other manufacturers. Any name, model, part number, brand, image, material or referral is for descriptive purposes only. Diaphragm Direct® brand replacement diaphragms are guaranteed to fit OEM equipment and meet or exceed OEM specifications. Diaphragm Direct® brand replacement diaphragms are covered by the standard Diaphragm Direct® limited product warranty.