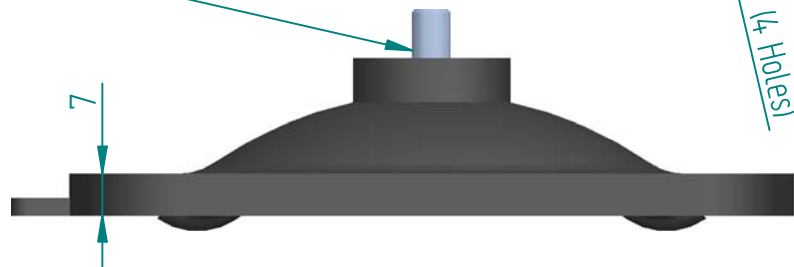
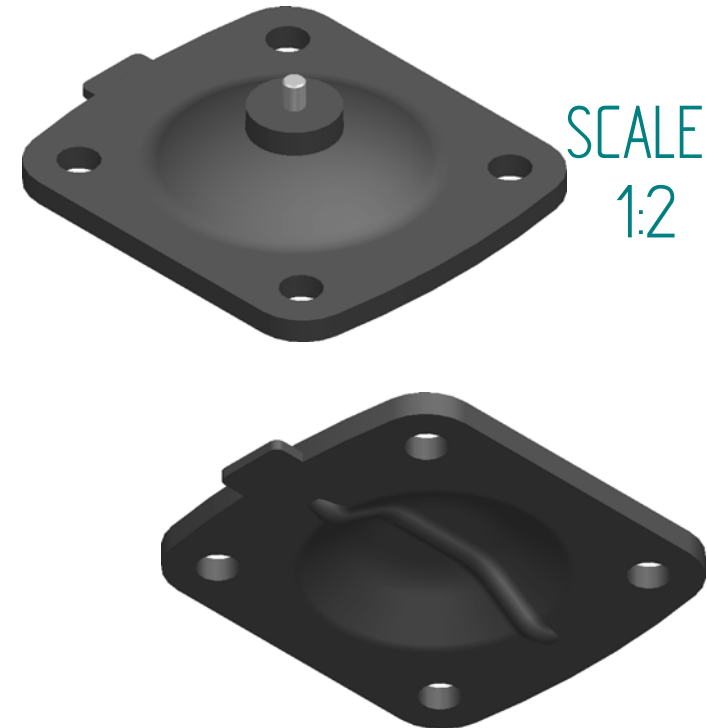


1/4" - Whitworth (INSERT SCREW)



REVISION HISTORY			
REV	DESCRIPTION	DATE	APPROVED



Replacement Diaphragm for :-

Grade : FPM/FKM - FDA

USED ON 2" (DN50) Diaphragm Valve

	NAME	DATE
DRAWN	M.MC KEON	01/21/15
CHECKED		

Material - FPM/FKM

FDA Compliance :
21 CFR 177.2600



TITLE
DD20-SFPM

SIZE A	ROMYNOX	REV B
-----------	----------------	----------

FILE NAME: DD20-SFPM.dft

SCALE: 1 : 1.25 ECO:0605 SHEET 1 OF 1

Disclaimer - Diaphragm Direct® does not manufacture, represent, nor sell OEM valves or diaphragms manufactured by any other company. Diaphragm Direct® brand diaphragms are not sponsored by any other manufacturers. Any name, model, part number, brand, image, material or referral is for descriptive purposes only. Diaphragm Direct® brand replacement diaphragms are guaranteed to fit OEM equipment and meet or exceed OEM specifications. Diaphragm Direct® brand replacement diaphragms are covered by the standard Diaphragm Direct® limited product warranty.