

SANITARY PRESSURE GAUGE

Romynox Sanitary Pressure Gauge

Pressure Gauge for clean processes, specifically for SIP and autoclave applications. FDA approved system fluid.

Standard with Tri-Clamp according to ASME-BPE or BS 4825 (welded). ISO 1127 and DIN11850 on request. Other connections are available.

ACCURACY :

case Ø 63: ±1.6% F.S./class 1.6

case Ø 100: ±1.0% F.S. /class 1.0

also available Ø 80 mm and Ø 160 mm on request.

Technical information



Sizes in stock see table, other sizes on request

Oper. pressure from -1 upto 16 bar, acc. to EN-837-1

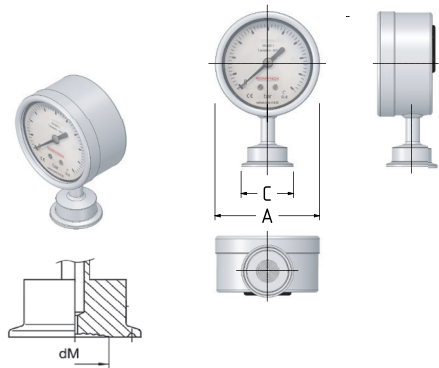
Temp. range -20°C to +121°C (cont.)
-20°C to +149°C (max. 1h)

Connections Tri-Clamp

Material - Case: 1.4301 (304), IP-65 standard with blow-out device

Certificates (standard) 3.1 material, FDA (on system filling), 2.2 surface finish,

Certificates (optional) 3.1 calibration



204

Size	PN bar, max	ØA	ØC	dM	For tubing
¾"	40	63	25	16	19.05 x 1.65
1½"	40	100	50.5	30	38.1 x 1.65
2"	40	100	64	38	50.8 x 1.65



ROMYNOX

RX: P62

These are standard items. We also deliver other sizes, according to ISO, DIN and SMS. For more and the latest information use the QR-code to go to the website.